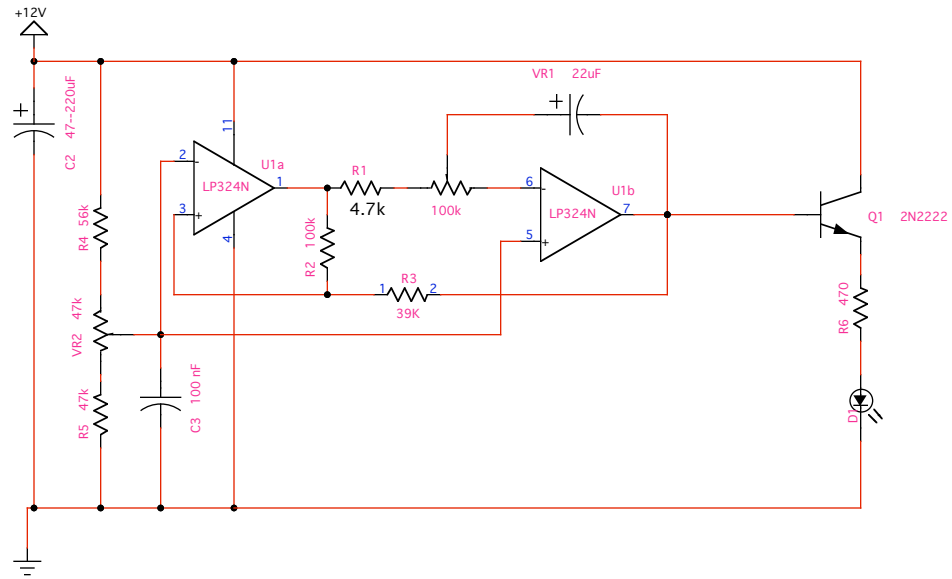


Throbber for Blue Grid
22Mar2005 Watrous



VR1 & C1 = throb rate
R2 + R3 sets wave amplitude
VR2 raises ramp up/down