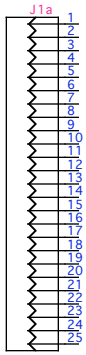
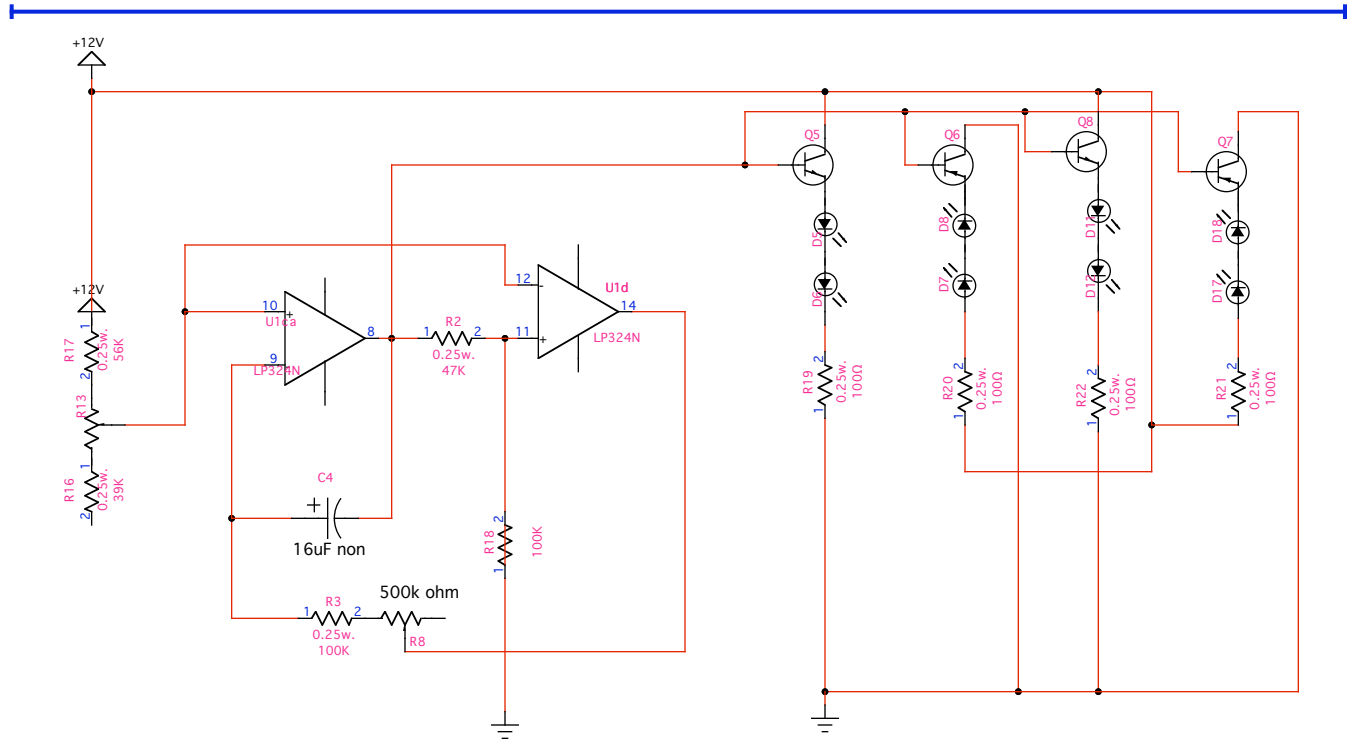
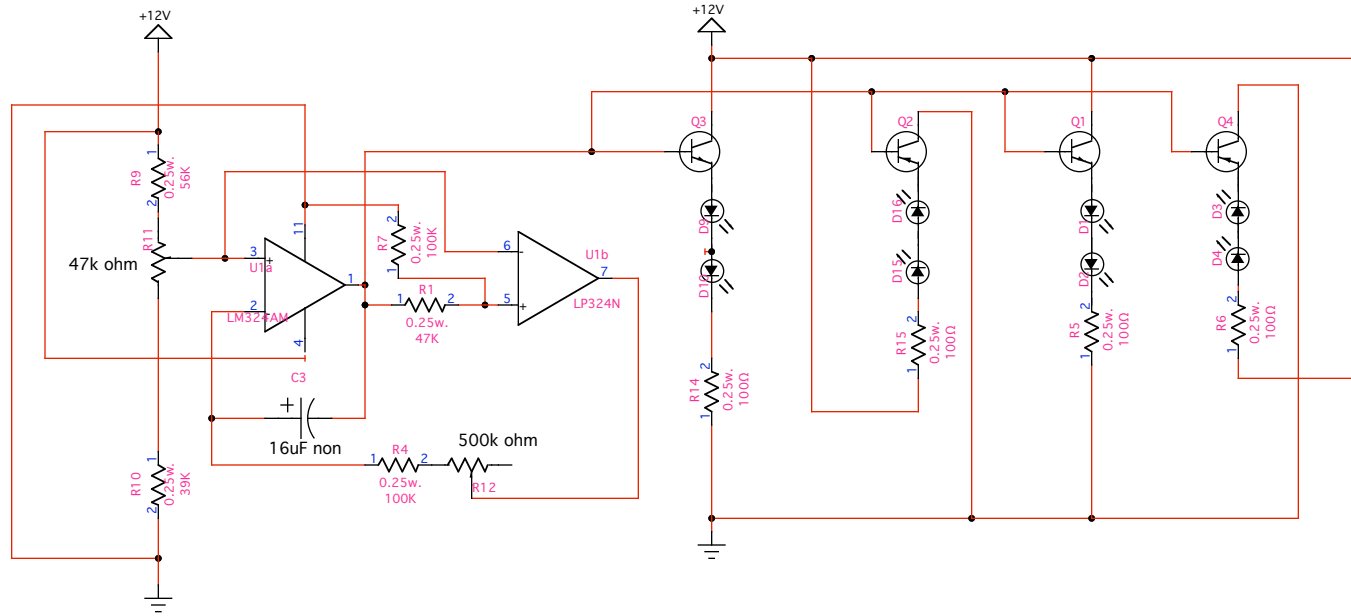


One LM324N and four 2N3904's and four 2N3906's
powering 16 LED's

Blue Grid 20 March 2005
John Watrous

One LM324 and 4 each
2N3904's and 4 each 2N3906's
Powering 16 blue LED's



Instead of LED's mounted on
board, they'll need an external
connector--header into ribbon
cable?

Ignore empty leads on bottom IC's as i couldn't figure out how to delete them!